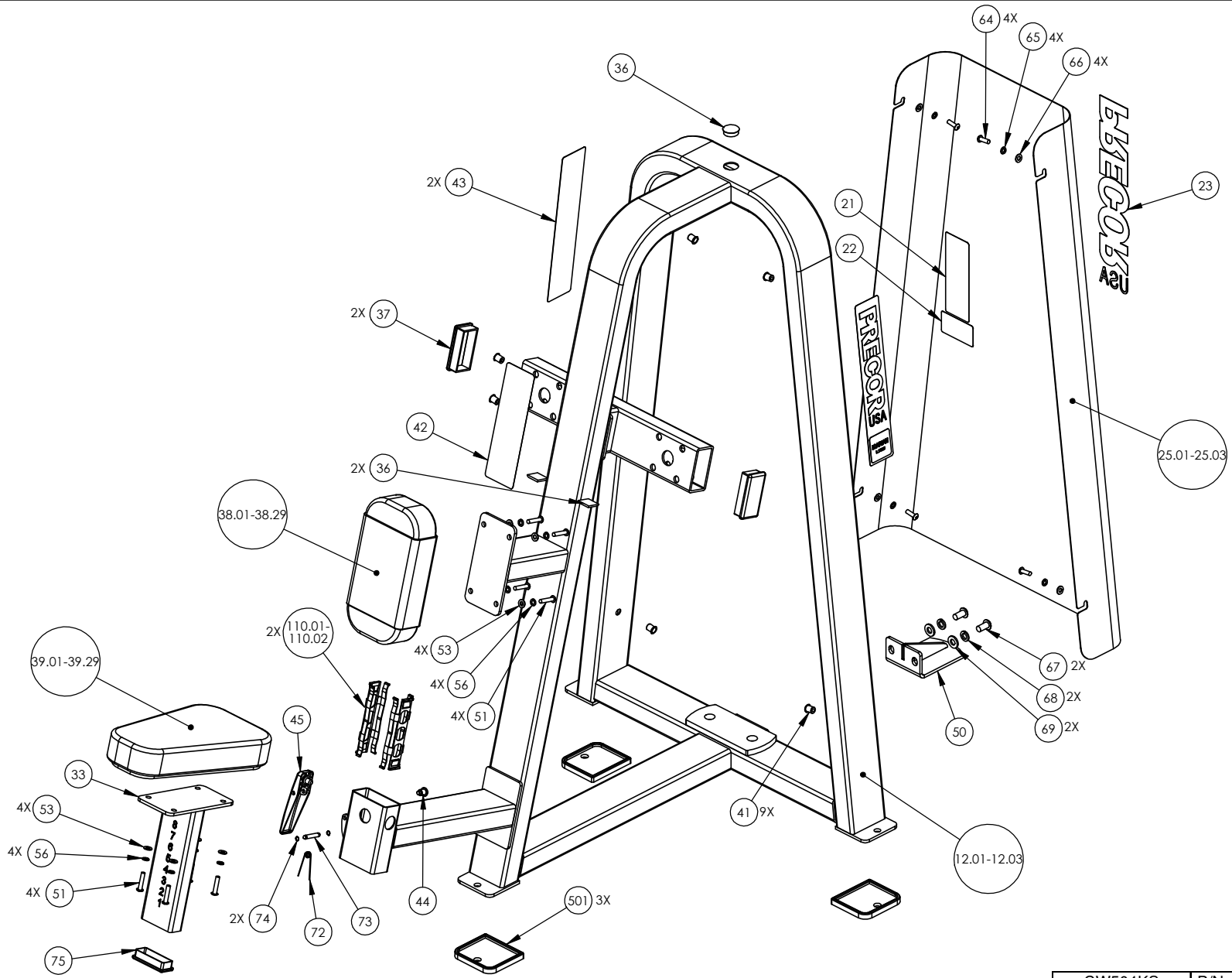
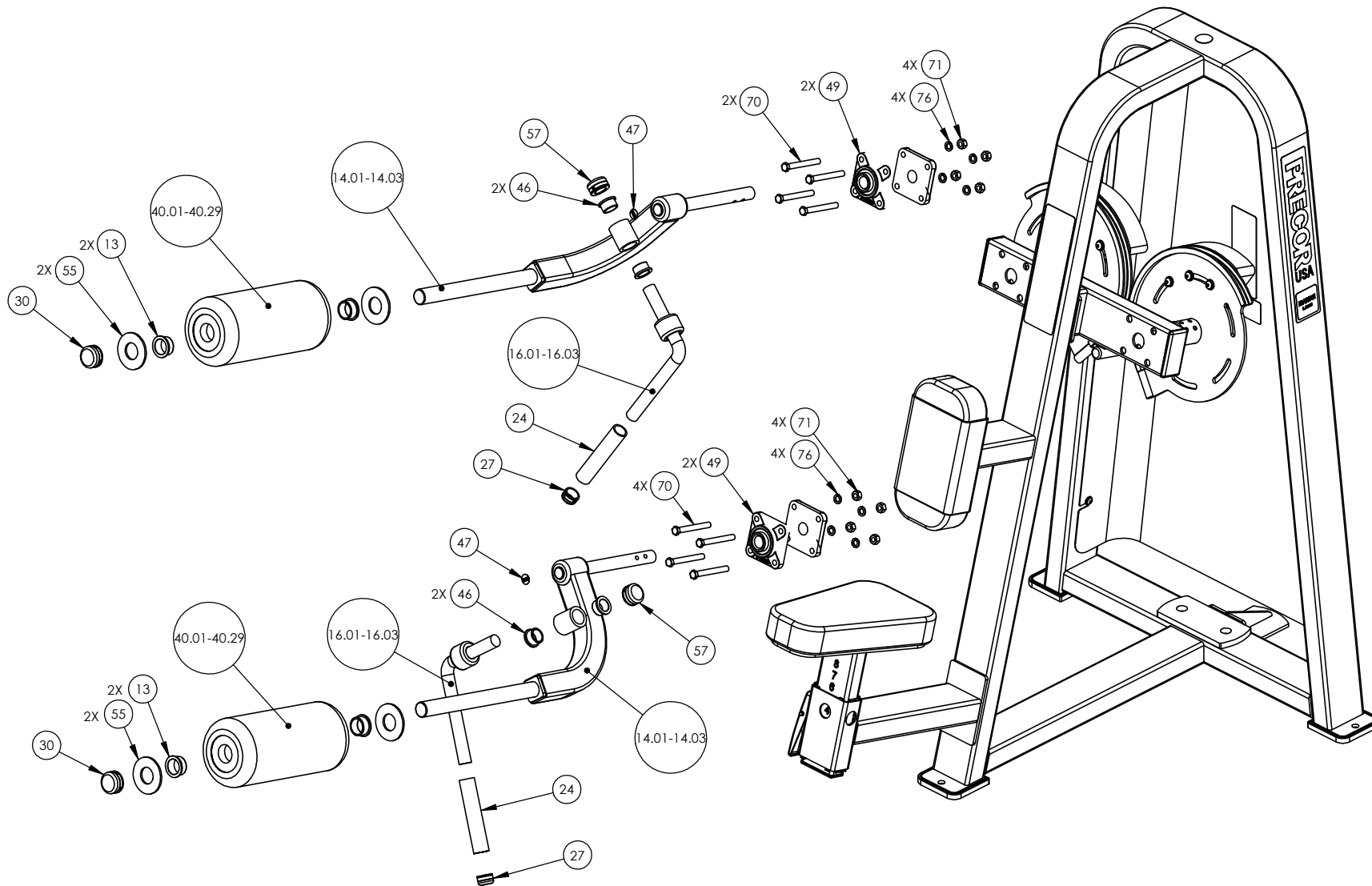


CW504KS	P/N: CW32854-101	SUBREV: C
DRAWN BY: VLE	DATE: 05.11.09	SHEET 1 OF 4

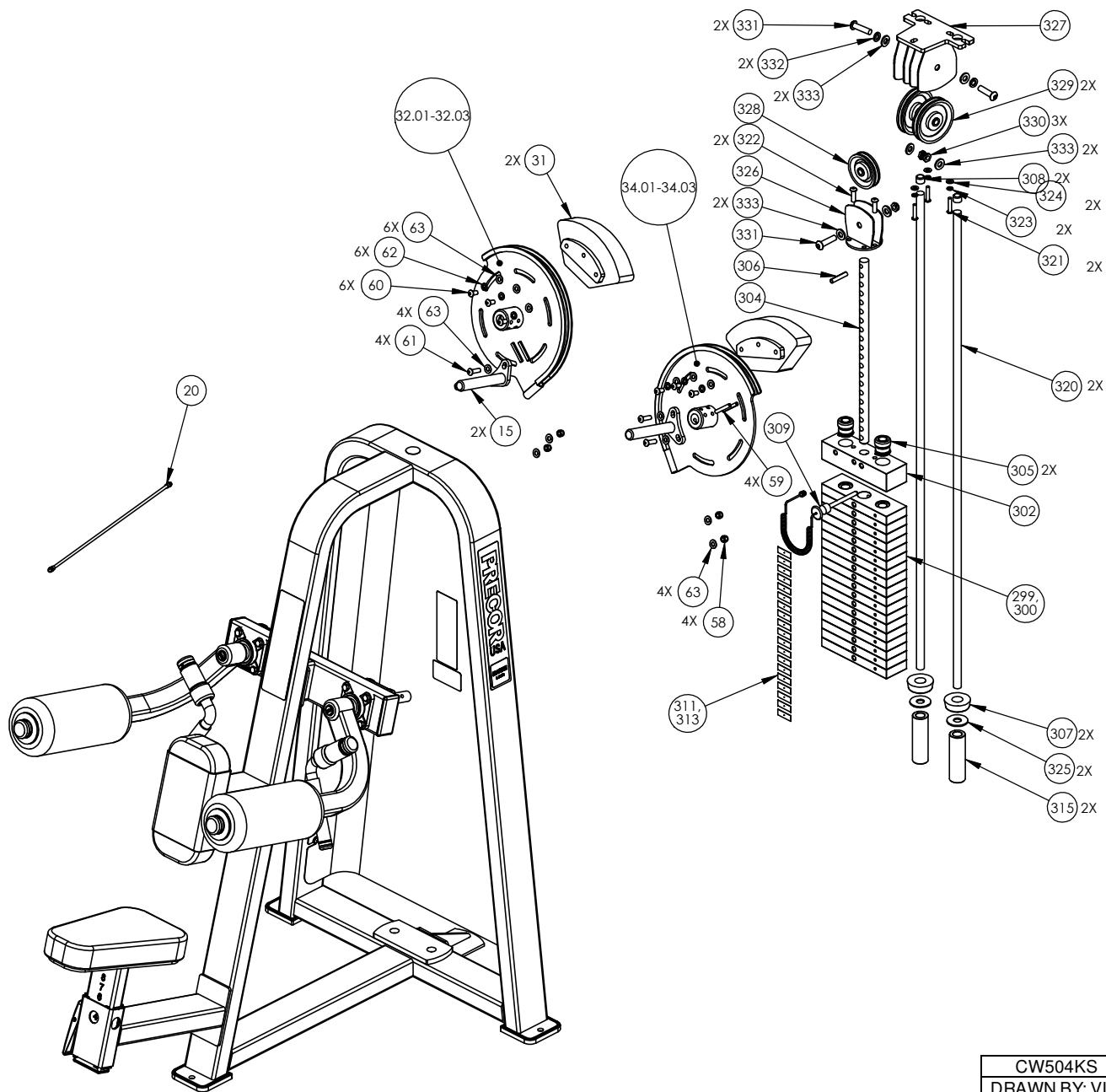


CW504KS	P/N: CW32854-101	SUBREV: C
DRAWN BY: VLE	DATE: 05.11.09	SHEET 2 OF 4





CW504KS	P/N: CW32854-101	SUBREV: C
DRAWN BY: VLE	DATE: 05.11.09	SHEET 3 OF 4



CW504KS	P/N: CW32854-101	SUBREV: C
DRAWN BY: VLE	DATE: 05.11.09	SHEET 4 OF 4

### 504KS Lateral Press

Part Number	Description	Bubble Number
CW32822-301	WELDMENT, FRAME, MAIN, CW504KS, CUS	12.02
CW32822-321	WELDMENT, FRAME, MAIN, CW504KS, TIT	12.03
CW10433-111	BSHNG,FLNGD,1.5ODX1.25IDX.75,IGUS R	13
CW33024-211	ASSY, ARM, CW504KS, SKY WHITE	14.01
CW33024-301	ASSY, ARM, CW504KS, CUSTOM	14.02
CW33024-321	ASSY, ARM, CW504KS, TITANIUM, HG	14.03
CW33025-732	ASSY, CAM STOP, LONG, BLACK ZINC	15
CW33296-211	ASSY, HANDLE, CW504, SKY WHITE	16.01
CW504SA4R-301	ASSY,HANDLE,RIGHT,504,CUSTOM	16.02
CW504SA4R-321	ASSY,HANDLE,RIGHT,504,TITANIUM HG	16.03
CW504SA4L-301	ASSY,HANDLE,LEFT,504,CUSTOM	17.02
CW504SA4L-321	ASSY,HANDLE,LEFT,504,TITANIUM HG	17.03
CWCLCC110-500	ASSY, CABLE, CW504KS	20
CW30010-102	LABEL,WARNING STRENGTH	21
CW30011-102	LABEL,WARNING WEIGHT STACK	22
CWGR4606-000	GRIP, RUBBER, 1.00" OD HANDLE, 6.00	24
CW32091-211	ASSY, SHROUD, #5, SKY WHITE	25.01
CW32091-301	ASSY, SHROUD, #5, CUSTOM	25.02
CW32091-321	ASSY, SHROUD, #5, TITANIUM, HG	25.03
CWAC218-901	HANDLE END CAP W/SET SCREWS, DIA 1"	27
CWAC219-902	HNDL RETAINER RNG, W/SS,1.040" I.D.	28
CWAC221-901	SHAFT END CAP W/SET SCREWS, DIA 1 1	30
CW32907-721	ASSY, COUNTER WEIGHT, 2.00", WRINKL	31
CW32911-721	ASSY, SMALL CAM, CCW, WRINKLE BLK	32.01
CW32535-711	ASSEMBLY, SEAT ADJUSTMENT, 8 HOLE,	33
CW32912-721	ASSY, SMALL CAM, CW, WRINKLE BLK	34.01
CW32912-301	ASSY, SMALL CAM, CW, CUSTOM	34.02
CW32912-321	ASSY, SMALL CAM, CW, TITANIUM (HG)	34.03
CW10340-200	TUBE, VINYL, 5/8 OD X 3/8 ID X 2.0	35
CW11095-105	CAP, PLASTIC, HEYCO, DOME PLUG, 1.2	36
CW11311-102	ENDCAP, REC TUBE, 2X4, BLK PLASTIC	37
CWPD1110B-101	PAD,6X12,4HOLES,W/BP,BLACK	38.01
CWPD1207B-101	PAD,5X9X14.5,4HOLES,W/BP,BLACK	39.01
CWPD1403A-101	PAD,5.625ODX1.5IDX12,BLACK	40.01
CW12537-109	NUT,INSERT,THIN-NUT,LARGE FLANGE	41
CW30041-101	LABEL,INSTRUCTION,504	42
CW31756-101	LABEL, PRECOR USA ICARIAN LINE	43
CW31784-731	STOP PLUG, BLK ZN	44
CW32460-221	ASSY, RATCHETING LEVER, BLACK	45
CW10433-110	BUSHING,FLNGD,1.25ODX1IDX.75,IGUS R	46
CWAC1232-101	LABEL, ROUND, "PIVOT"	47
CW12405-101	PILLOW BLOCK, BEARING, FLANGE, 4 BO	49
CW33286-731	WELDMENT, STABILITY FOOT,BLACK ZINC	50
CWTAYN031-150	SCREW, BUTTON HEAD, BLK XYLAN, 5/16	51
CWWBKN031-007	WASHER, FLAT, TYPE A, SAE, 5/16 ID	53
CWWNKN138-016	WASHER, FLAT, 1 3/8 ID X 3 OD, 0.15	55
CWWALYN031-008	WASHER, SPLIT, 5/16 ID, BL	56
CWAC222-901	ASSY, SHAFT END CAP W/SET SCREWS, D	57

CWKDYN038-045	LOCKNUT, NYLON INSERT, FULL, UNC, 3	58
CWLDNN031-200	SLOTTED PIN SPRING, DIA 5/16 X 2.00	59
CWTAYN038-075	SCREW, BUTTON HEAD, BLK XYLAN, 3/8	60
CWTAYN038-125	SCREW, BUTTON HEAD, BLK XYLAN, 3/8	61
CWWALYN038-009	WASHER, SPLIT, 3/8 ID, BLK XYLAN	62
CWWBKN038-007	WASHER, FLAT, TYPE A, SAE, 3/8 ID	63
CWTAYN031-100	SCREW, BUTTON HEAD, BLK XYLAN, 5/16	64
CWWBKN031-007	WASHER, FLAT, TYPE A, SAE, 5/16 ID	65
CWWALYN031-008	WASHER, SPLIT, 5/16 ID, BL	66
CWTAYN050-100	SCREW, BUTTON HEAD, BLK XYLAN, 1/2	67
CWWALYN050-013	WASHER, SPLIT, 1/2 ID, BLK XYLAN	68
CWWBKN050-010	WASHER, FLAT, TYPE A, SAE, 1/2 ID X	69
CWHCYN044-375	SCREW, HEX HEAD, BLK XYLAN, 7/16-	70
CWKMYN044-038	NUT, HEX, UNC, 7/16-14, BLK XYLAN	71
CW12634-101	SPRING, TORSION 90 DEG X 0.484 X 0.	72
CW31770-742	LATCH PIVOTING PIN, CLR ZN	73
CWAMNN028-003	RING, RETAINING, 2-TURN, SPIRAL, SS	74
CWWALYN044-011	WASHER, SPLIT, 7/16 ID, BLK XYLAN	76
CW33626-901	GUIDE, THIN, TELESCOPING TUBE	110.01
CW33626-902	GUIDE, THCK, TELESCOPING TUBE	110.02
CWAC1133-101	BUSHING, WEIGHT PLATE, LDPE PLASTIC	203
CW30171-741	PIN, WEIGHT STACK, 4.00 INCHES, ZN	225
CW10505-721	ASSY, PLATE, WEIGHT, 05 LBS, WRKL B	299
CW10510-721	ASSY, PLATE, WEIGHT, 10 LBS, WRKL B	300
CW10540-722	PLATE, WEIGHT, SMALLTOP (STP-T), 10	302
CW30132-712	SELECTOR STEM, 20 PLATE, 0.875 DIA,	304
CW30184-901	ASSY, BARREL, TOP PLATE, ALUMINUM, SHRT	305
CW30184-902	ASSY, BARREL, TOP PLATE, ALUMINUM, TALL	305
CWLDNN038-200	SLOTTED PIN SPRING, DIA 3/8 X 2	306
CW12402-101	BUMPER, ID 1.050, BLK RUBBER	307
CW12404-101	CAP, GUIDE ROD, DIA 3/4, BLK	308
CW32933-101	WEIGHT STACK LABELS, 10-150, STAGGE	311
CW32931-101	WEIGHT STACK LABELS, 10-100, STRAIG	313
CW33323-721	STACK RISER, 5 INCH, WRINKLE BLACK	315
CWPF1214-711	GUIDE ROD, STEEL, OD 3/4 X 52 5/8, CH	320
CWTAYN031-150	SCREW, BUTTON HEAD, BLK XYLAN, 5/16	321
CWTAYN038-125	SCREW, BUTTON HEAD, BLK XYLAN, 3/8	322
CWWALYN031-008	WASHER, SPLIT, 5/16 ID, BL	323
CWWBKN031-007	WASHER, FLAT, TYPE A, SAE, 5/16 ID	324
CWWCKN075-015	WASHER, FLAT, TYPE A, WIDE, 3/4 ID	325
CW32675-731	WELDMENT, 3.50" TOP PLATE PULLEY HO	326
CW32716-732	WELDMENT, DOUBLE 4.50 PULLEY HOUSIN	327
CW32933-101	WEIGHT STACK LABELS, 10-150, STAGGE	328
CWAC1008-101	PULLEY, 3 1/2 DIA. X 1/2 ID	328
CWAC1009-101	PULLEY, 4 1/2 DIA X 1/2 ID	329
CWKAYN050-031	LOCKNUT, NYLON INSERT, HALF, UNC, 1	330
CWTAYN050-200	SCREW, BUTTON HEAD, BLK XYLAN, 1/2	331
CWWALYN050-013	WASHER, SPLIT, 1/2 ID, BLK XYLAN	332
CW32933-101	WEIGHT STACK LABELS, 10-150, STAGGE	333
CWWBKN050-010	WASHER, FLAT, TYPE A, SAE, 1/2 ID X	333
CWAC1177-101	FLOOR PROTECTOR, RUBBER, 4.563 X 4.	501
CW58004-101	WEIGHT STACK BUSHING KIT, KS SERIES	600

